

DN 16 CF PORT FOR CURRENT READ BACK

DRIVING MECHANISM

POSITION OF HOLES ON FIXED FLANGE SHOULD BE SYMMETRIC ABOUT AXIS

6" CF[F] [OUT]
6" CF[R] [IN]

| | | | | | | | | | | |
|---|--|--|---------|--|------------------------------|--|----------------------|--|---------------------|--|
| UNLESS OTHERWISE SPECIFIED: DIMENSIONS ARE IN MILLIMETERS SURFACE FINISH: TOLERANCES: LINEAR: ANGULAR: | | | FINISH: | | DEBURR AND BREAK SHARP EDGES | | DO NOT SCALE DRAWING | | REVISION | |
| | | | | | | | | | | |
| | | | | | | | | | TITLE: | |
| | | | | | | | | | DOUBLE SLIT | |
| | | | | | | | | | DWG NO. | |
| | | | | | MATERIAL: | | | | IUAC/AK/23012020_01 | |
| | | | | | SS 304/316L | | | | A3 | |
| | | | | | WEIGHT: | | | | SCALE:1:5 | |
| | | | | | | | | | SHEET 1 OF 2 | |

| | NAME | SIGNATURE | DATE |
|--------|---------------|-----------|------------|
| DRAWN | ANUJ CHAUHAN | | 30/12/2019 |
| CHK'D | ASHOK KOTHARI | | 30/12/2019 |
| APPV'D | ASHOK KOTHARI | | 30/12/2019 |
| MFG | | | |
| Q.A | | | |

DOUBLE SLIT

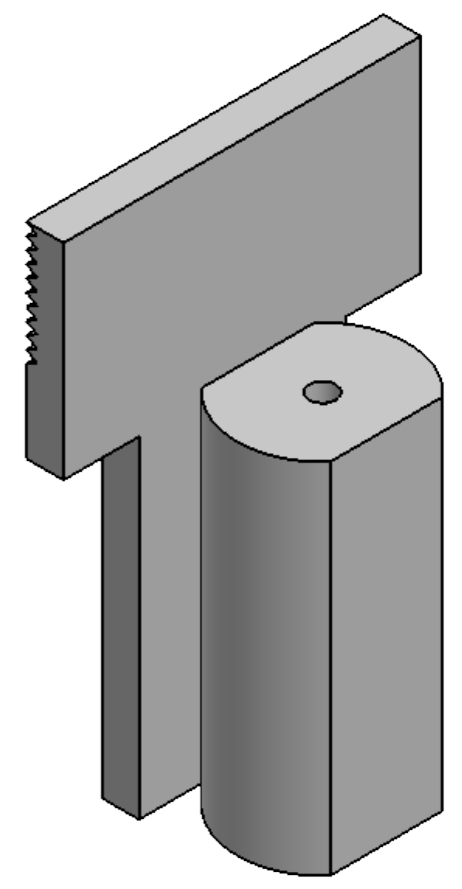
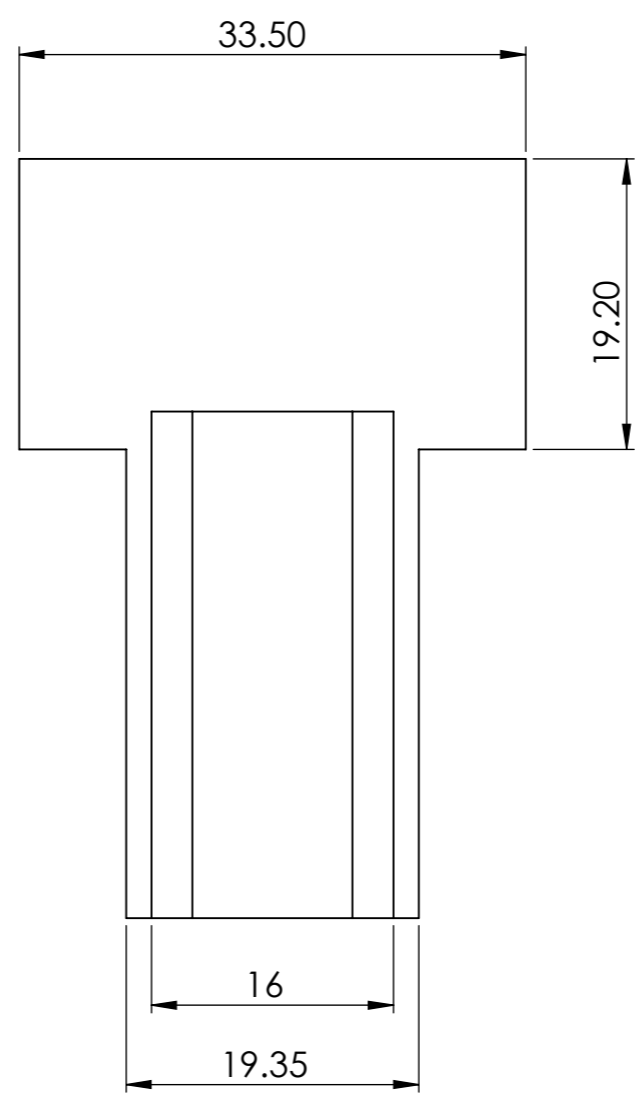
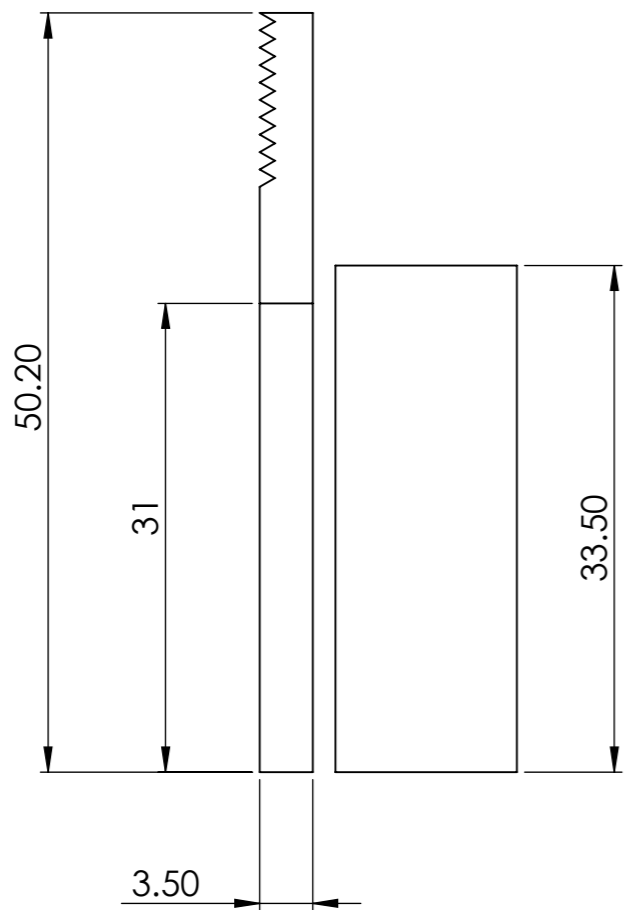
IUAC/AK/23012020_01

SS 304/316L

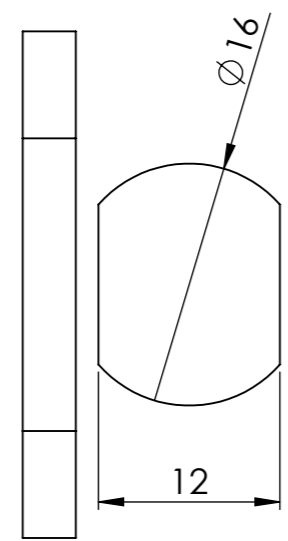
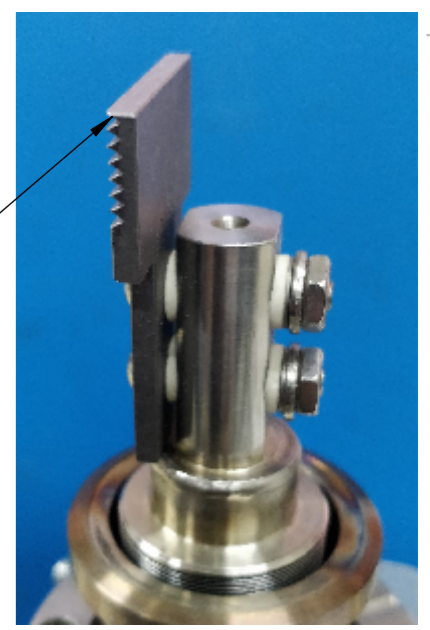
A3

SCALE:1:5

SHEET 1 OF 2



50 WATT PER ELEMENT
TANTALUM / 3.5mm THK



| | | | | | | | | | | | |
|---|--|--|--|-----------|--|------------------------------------|--|-------------------------------|--|----------|--|
| UNLESS OTHERWISE SPECIFIED: DIMENSIONS ARE IN MILLIMETERS SURFACE FINISH: TOLERANCES: LINEAR: ANGULAR: | | | | FINISH: | | DEBURR AND BREAK SHARP EDGES | | DO NOT SCALE DRAWING | | REVISION | |
| | | | | | | | | TITLE: SLIT ELEMENT | | | |
| DRAWN ANUJ CHAUHAN | | | | SIGNATURE | | DATE | | DWG NO. IUAC/AK/23012020_02 | | | |
| CHK'D ASHOK KOTHARI | | | | | | 23/01/2020 | | SCALE:1:1 | | | |
| APPV'D ASHOK KOTHARI | | | | | | 23/01/2020 | | SHEET 2 OF 2 | | | |
| MFG | | | | | | | | A3 | | | |
| Q.A | | | | | | | | WEIGHT: | | | |
| | | | | | | | | MATERIAL: TANTALUM | | | |