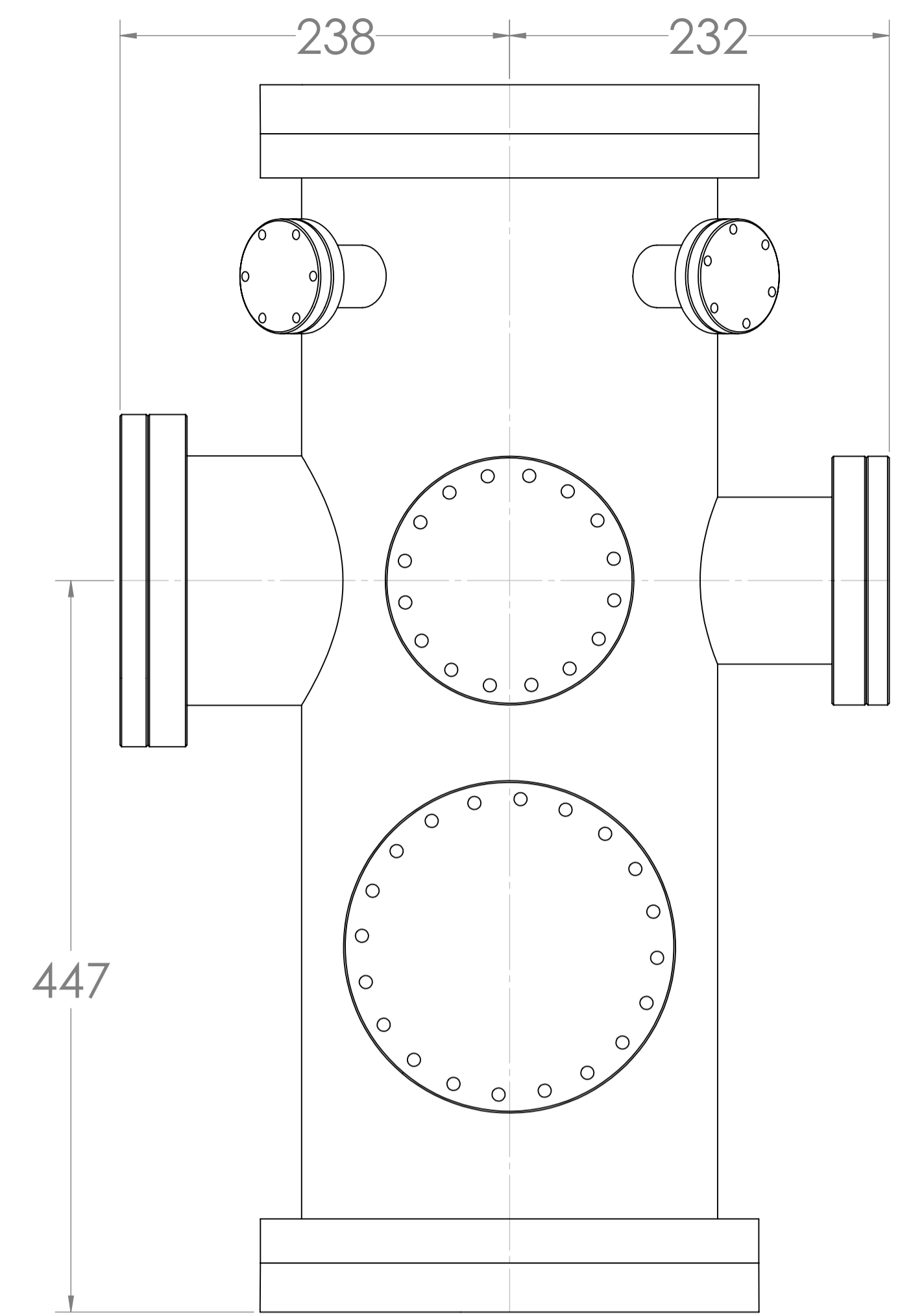


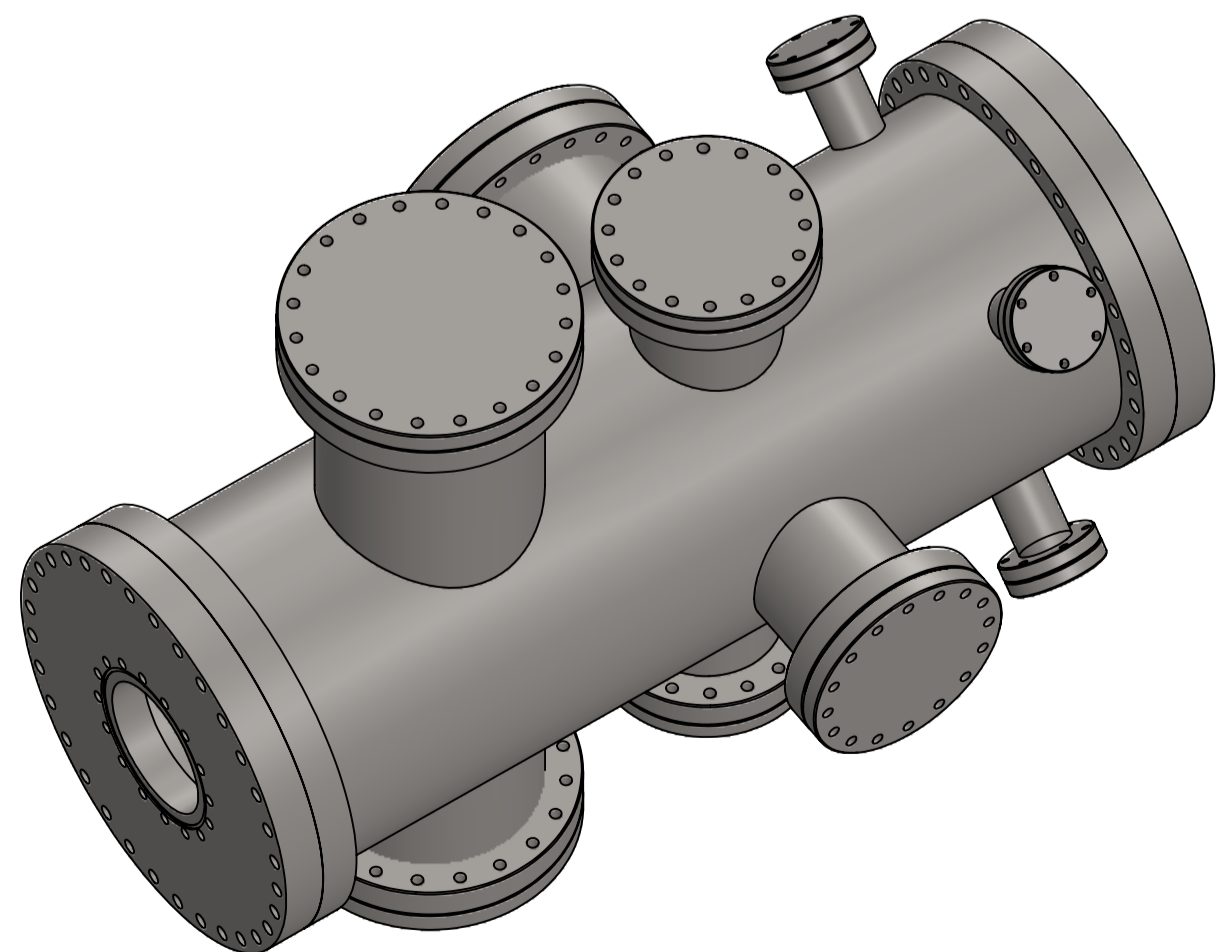
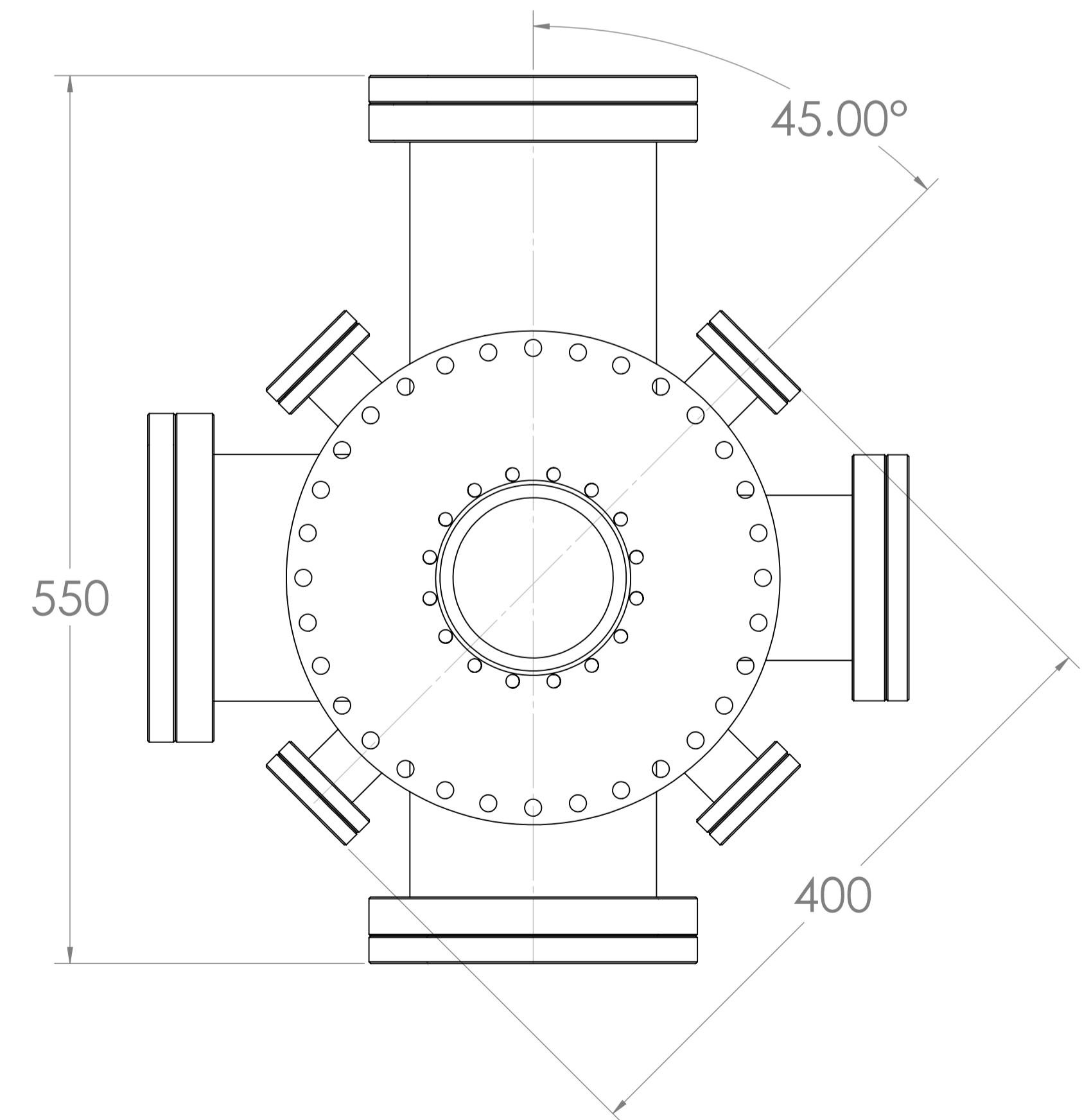
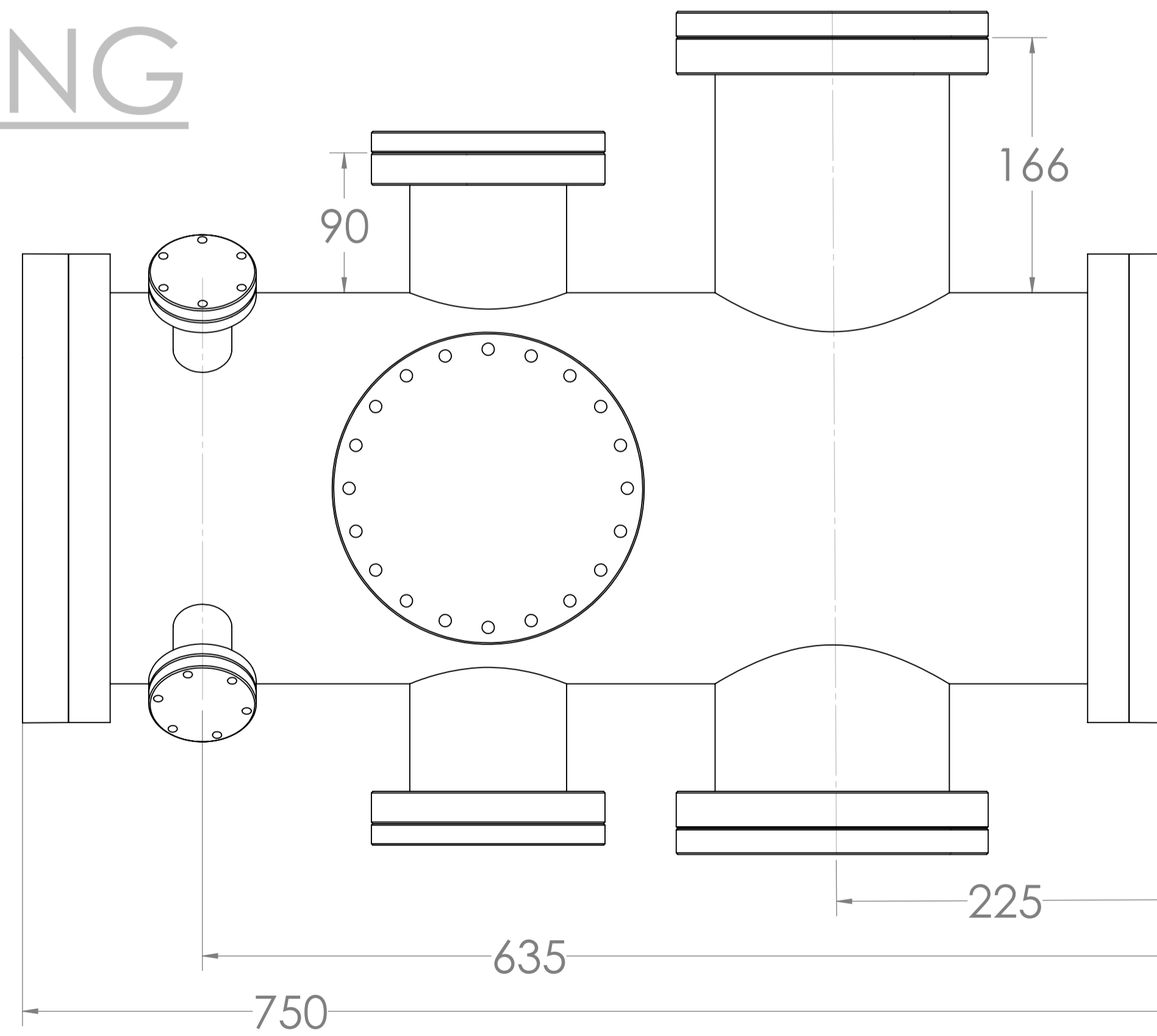
ITEM .	DESCRIPTION	QTY.
A	SEMI SEAMLESS PIPE WALL THICKNESS=3mm DIAMETER=254mm	1 Nos
B	DN100 TO DN250 ZERO LENGTH ADAPTER	2 Nos
C	DN40 (OD=70mm)	4 Nos
D	DN100 (OD=152mm)	3 Nos
E	DN150 (OD=203mm)	3 Nos

Note :

1. Parallelism of the End Flanges should be within 0.1mm
2. Perpendicularity of the Ports should be within in 0.2 degree
3. Surface finish should be as per the UHV norms
4. All Weldings has to be done from inside only
5. Testing: - The UHV chambers will be subjected to leak testing. All leak testing has to be better than 1×10^{-9} torr lt/sec helium under vacuum testing. Vacuum retention test also will have to be done after proper evacuation with a high vacuum pump (turbo pump). the leak rate should be better than 1×10^{-9} torr lt/sec.
6. One set of Blank-Off Flanges to be provided for all ports.
7. Two set of Viton O-rings for all ports.



FABRICATION DRAWING



UNLESS OTHERWISE SPECIFIED:
DIMENSIONS ARE IN MILLIMETERS

TOLERANCES:
ONE PLACE DECIMAL ± 0.1 mm
TWO PLACE DECIMAL ± 0.02 mm
FRACTIONAL \pm
ANGULAR ± 0.02 deg

PROPRIETARY AND CONFIDENTIAL
THE INFORMATION CONTAINED IN THIS
DRAWING IS THE SOLE PROPERTY OF IAC
HOWEVER, ANY REPRODUCTION IN PART
OR AS A WHOLE WITHOUT THE WRITTEN
PERMISSION OF IAC NOW OR IN THE
FUTURE IS PROHIBITED

DEBUR AND
BREAK SHARP
EDGES

DRAWN: DKP

CHKD: DKP

APPVD: DKP

MFG: DKP

QA: DKP

DATE: 13 Dec 19

SIGNATURE: DKP

NAME: DKP

DESIGN NO.:

SCALE: 1:1

WEIGHT:

Inter University Accelerator Centre
Formerly : Nuclear Science Centre
New Delhi - 110067

TITLE:

VACUUM CHAMBER

DWG NO. IUAC/ITVC/Rev 1

SCALE: 1:1

SHEET 1 OF 1

WEIGHT:

SCALE: 1:1

SHEET 1 OF 1